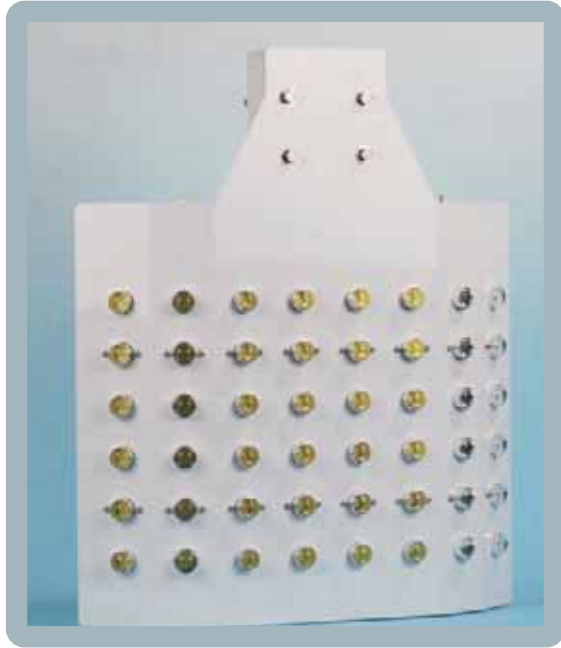




LUXMAN™ - SL Series Streetlights



LUXMAN™ -SL-6x8, LUXMAN™ -SL-6x10
and LUXMAN™ -SL-6x12

Features

- High power LED streetlights
- High luminous intensity output: 6,720 ~ 10,080 lumens
- Min. 70% lumen maintenance after 35,000 hours
- Modular design, lightweight, easy assembly
- Higher energy efficiency, longer operating life and lower operating cost than traditional mercury lamps
- Easy maintenance by general electricians
- Light bars or LED modules are individually replaceable
- Insects cannot build nests and shade the LED modules
- Rating: IP66

Light up streets, alleys, courtyards, parks and walkways with the LuxMan™ -SL streetlights.

ELECTRONIC SPECIFICATIONS

MODEL NAME	LUXMAN-SL-6x8	LUXMAN-SL-6x10	LUXMAN-SL-6x12
Power Specifications			
Input Voltage	100~240VAC (50 ~ 60Hz)		
Input Current	1.2 / 0.6 A	1.4 / 0.7 A	1.8 / 0.9 A
Power Consumption	120W	150W	180W
Optical Specifications			
Output	6,720 lumens	8,400 lumens	10,080 lumens
Operating Life	Min. 70% lumen maintenance after 35,000 hrs.		
Environment Specifications			
Temperature	60° C		
Operating Temp.	-20 ~ 50° C		
Storage Temp.	-40 ~ 60° C		
Operating Humidity	10 ~ 90%		
Dimensions	56cm x 47.3cm x 7.3cm	56cm x 53.5cm x 11.7cm	56cm x 60.5cm x 15.9 cm
Installation Height	7 ~ 8 meters	9 ~ 10 meters	11 ~ 12 meters



LED Lights Inc.
5925 Fair Oaks Blvd. #7
Carmichael, CA 95608

(877) 4 LED LIGHTS

LUXMAN™ - SL Series Streetlights

DIMENSIONS

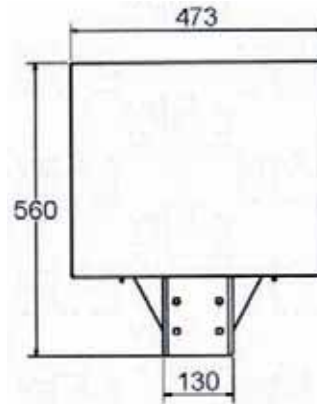
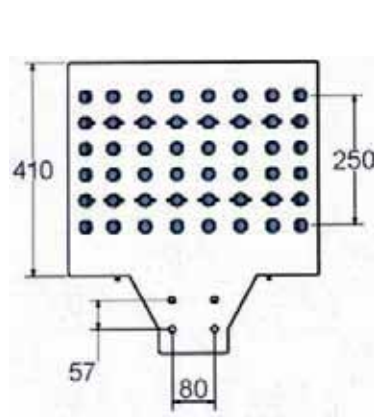
Unit: mm

Front View

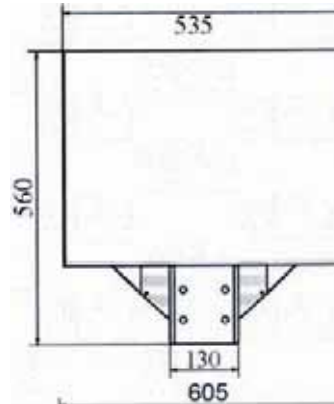
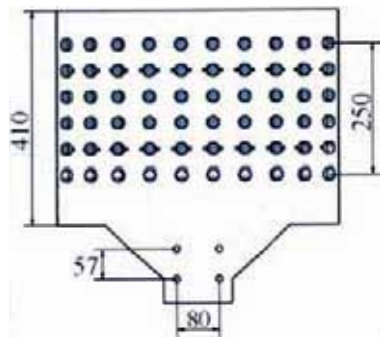
Back View

Side View

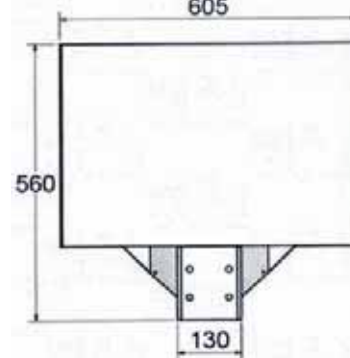
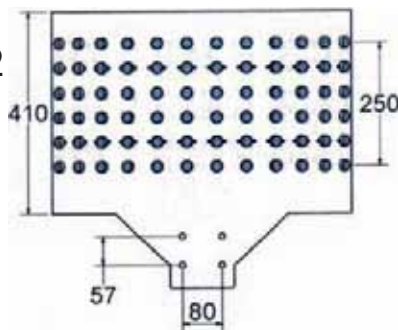
LUXMAN™-SL-6x8



LUXMAN™-SL-6x10



LUXMAN™-SL-6x12



LED Lights Inc.

5925 Fair Oaks Blvd. #7
Carmichael, CA 95608

(877) 4 LED LIGHTS

(877) 453-3544

