

# LUXMAN™ - SL Series Streetlights



LUXMAN™-24- SL, LUXMAN™-36- SL  
and L UXMAN™-48- SL

### Features

- High power LED streetlights
- High luminous intensity output: 2,400 ~ 4,800 lumens
- Min. 70% lumen maintenance after 35,000 hours
- Modular design , lightweight, easy assembly
- Higher energy efficiency , longer operating life and lower operating cost than traditional mercury lamps
- Easy maintenance by general electricians
- Light bars or LED modules are individually replaceable
- Insects cannot build nests and shade the LED modules

Light up streets, alleys , courtyards , parks and walkways with the LuxMan™- SL streetlights

### ELECTRONIC SPECIFICATIONS

MODEL NAME	L UXMAN-24-SL	L UXMAN-36-SL	L UXMAN-48-SL
<b>Power Specifications</b>			
Input Voltage	100~240V AC (50 ~ 60Hz)		
Input Current	0.6 / 0.3 A	0.9 / 0.45 A	1.2 / 0.6 A
Power Consumption	60W	90W	120W
<b>Optical Specifications</b>			
Output	2400 lumens	3600 lumens	4800 lumens
Illumination	250 lux @ 4 meters	380 lux @ 4 meters	500 lux @ 4 meters
Operating Life	Min. 70% lumen maintenance after 35,000 hrs		
<b>Environment Specifications</b>			
Temperature	60° C		
Operating Temp .	-20 ~ 50° C		
Storage Temp .	-40 ~ 60° C		
Operating Humidity	10 ~ 90%		
Weight	6 kgs	kgs	kgs
Dimensions	233 cm x 480 cm	350 cm x 480 cm	400 cm x 480 cm



## LED Lights Inc.

5925 Fair Oaks Blvd. #7  
Carmichael, CA 95608

(877) 4 LED LIGHTS

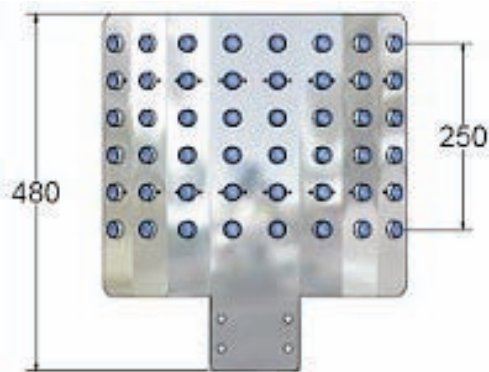
(877) 453-3544

# LUXMAN™- SL Series Streetlights

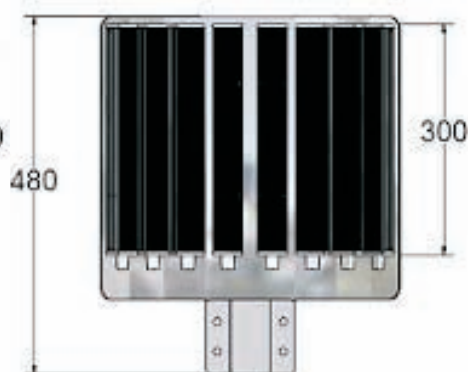
## MECHANICAL DIMENSIONS

LUXMAN-48-SL

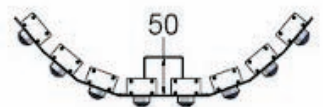
Front View



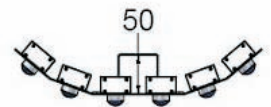
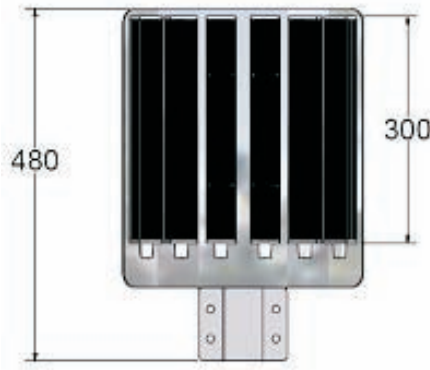
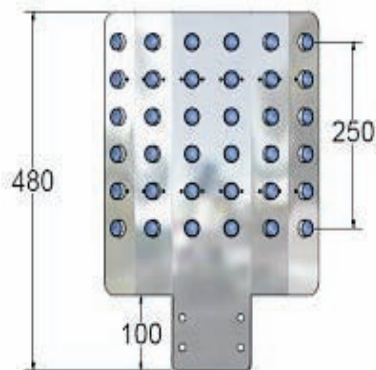
Back View



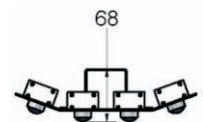
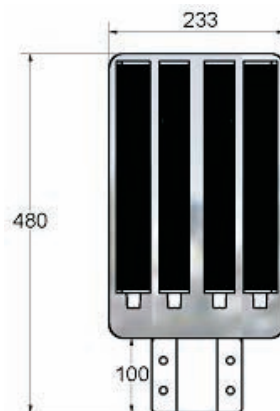
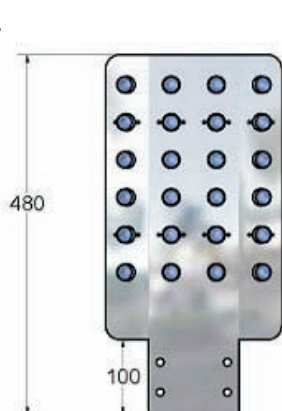
Side View



LUXMAN-36-SL



LUXMAN-24-SL



Unit: mm

**LED Lights Inc.**

5925 Fair Oaks Blvd. #7  
Carmichael, CA 95608

(877) 4 LED LIGHTS

(877) 453-3544